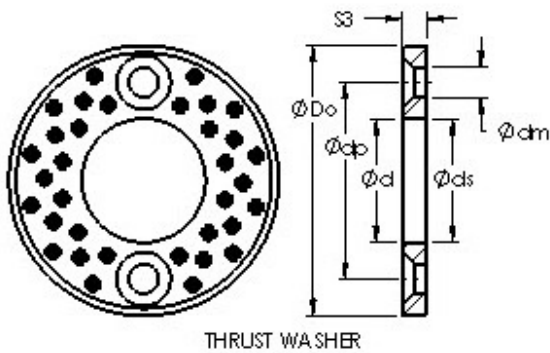




BEARING DRIVESHAFT, INC.



AST AST650 WC55 plain bearings

Bearing No. AST650 WC55

Bore Diameter	55 mm
Outer Diameter	110 mm
Bearing Type	thrust washer
Shaft Dia., Nominal (d)	55.0000
Bearing Outside Diameter, Nominal (Do)	110.000
Washer Inside Diameter, Nominal (di)	55
Washer Outside Diameter, Nominal (Do)	110
Washer Thickness, Nominal (S3)	8
Washer Thickness Tolerance (S3 tol.) - +0 / -0.1	+0 / 0.1
Mounting Hole Dia. (dm)	7.000
Mounting Hole Pitch Dia. (dp)	85
Material	Cast bronze with solid lubricant inserts.

AST650 WC55 Bearing 2D drawings and 3D CAD models