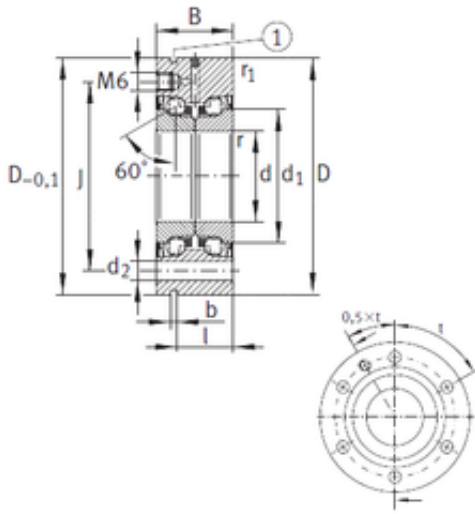




BEARING DRIVESHAFT, INC.



15 mm x 60 mm x 25 mm INA ZKLF1560-2RS-PE thrust ball bearings

Bearing No. ZKLF1560-2RS-PE

ZKLF1560-2RS-PE Bearing 2D drawings and 3D CAD models

Size	15x60x25 mm
Bore Diameter	15 mm
Outer Diameter	60 mm
Width	25 mm
d	15 mm
D	60 mm
B	25 mm
C	25 mm
Screw	3
l	17 mm
Angle (?)	60 °
b	3 mm
d1	28 mm
d2	6,8 mm
r min.	0,3 mm
r1 min.	0,6 mm
J	46 mm
Bolt (G)	M6
Weight	0,43 Kg
Basic dynamic load rating (C)	17,9 kN
Basic static load rating (C0)	28 kN
Category	Precision Ball Bearings
Inventory	0.0
Manufacturer Name	SCHAEFFLER GROUP
Minimum Buy Quantity	N/A



BEARING DRIVESHAFT, INC.

Weight / Kilogram	0.515
EAN	4012802078626
Product Group	B00152
Enclosure	2 Seals
Precision Class	ABEC 5 ISO P5
Material - Ball	Steel
Number of Bearings	1 (Single)
Contact Angle	60 Degree
Preload	None
Raceway Style	Not Applicable
Cage Material	Plastic
Rolling Element	Ball Bearing
Enclosure Type	Contact Seal
Flush Ground	No
Inch - Metric	Metric
Other Features	Double Row Angular Contact Thrust Bearing Double Direction Ball Screw Support
Long Description	15MM Bore; 60MM Outside Diameter; 25MM Width; 2 Seals Enclosure; ABEC 5 ISO P5 Precision; Steel Ball Material; 1 (Single) Bearing; 60 Degree Contact Angle; Plastic Cage Material; Ball Bearing
Category	Precision Ball Bearings
UNSPSC	31171531
Harmonized Tariff Code	8482.10.50.28
Noun	Bearing
Keyword 3	Thrust
Keyword String	Ball Angular Contact Thrust
Manufacturer URL	http://www.ina.com
Weight / LBS	0.94799



BEARING DRIVESHAFT, INC.

Width	0.984 Inch 25 Millimeter
Outside Diameter	2.362 Inch 60 Millimeter
Bore	0.591 Inch 15 Millimeter