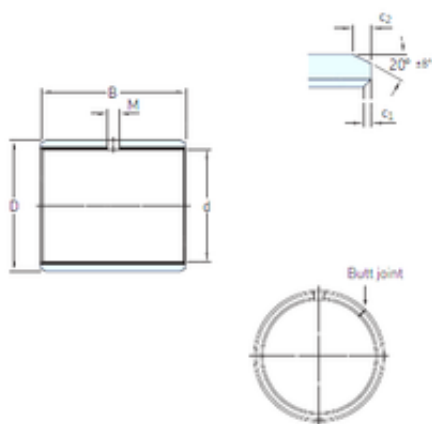




# BEARING DRIVESHAFT, INC.

12 mm x 14 mm x 15 mm SKF PCM 121415 M  
plain bearings



Bearing No. PCM 121415 M

Size	12x14x15 mm
Bore Diameter	12 mm
Outer Diameter	14 mm
Width	15 mm
d	12 mm
D	14 mm
B	15 mm
c1 min	0,1 mm
c2 min	0,2 mm
M	3 mm
Weight	0,0035 Kg
Basic dynamic load rating (C)	21,6 kN
c <sub>1</sub> min.	0.1 mm
c <sub>1</sub> max.	0.6 mm
c <sub>2</sub> min.	0.2 mm
c <sub>2</sub> max.	1 mm
± 8	20 °
Tolerance shaft	h8
Tolerance housing	H7
Basic dynamic load rating - radial direction C	21.6 kN
Basic static load rating - radial direction C <sub>0</sub>	45 kN
Specific dynamic load factor K	120 N/mm <sup>2</sup>
Specific static load factor K <sub>0</sub>	250 N/mm <sup>2</sup>

PCM 121415 M Bearing 2D drawings and 3D CAD models



## BEARING DRIVESHAFT, INC.

Factor depending on material and bearing type $K_M$	1900
Permissible sliding velocity $v$ min.	0 m/s
Permissible sliding velocity $v$ max.	2.5 m/s
Coefficient of friction $\mu$ min.	0.02
Coefficient of friction $\mu$ max.	0.2
Mass bushing	0.0035 kg