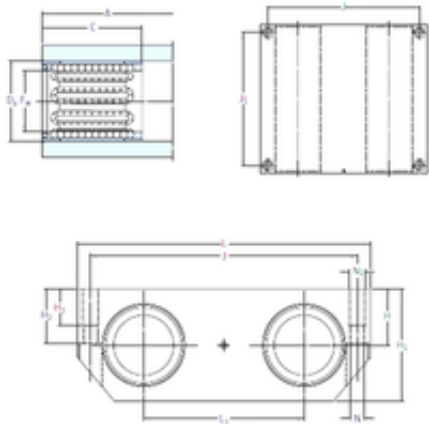




BEARING DRIVESHAFT, INC.

SKF LQBR 30-2LS linear bearings



Bearing No. LQBR 30-2LS

Bore Diameter	30 mm
Fw	30 mm
H3	18 mm
Da	40 mm
A	130 mm
C	50 mm
H	28 mm
H1	56 mm
H2	27 mm
J	133 mm
L	146 mm
L1	80 mm
N	6,6 mm
J1	117 mm
Thread (N1)	M8
Weight	2,15 Kg
Basic dynamic load rating (C)	8,5 kN

LQBR 30-2LS Bearing 2D drawings and 3D CAD models