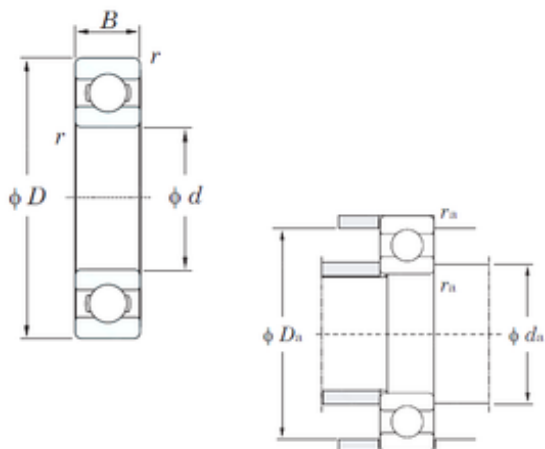




BEARING DRIVESHAFT, INC.



6209 Bearing 2D drawings and 3D CAD models

Automotive Bearing SKF Distributor NSK
Timken Koyo NTN Deep Groove Ball Bearing
6209 2RS/Zz for Auto Parts Rolling Bearing

Bearing No. 6209

Size	45x85x19 mm
Bore Diameter	45 mm
Outer Diameter	85 mm
Width	19 mm
d	45 mm
D	85 mm
B	19 mm
C	19 mm
r min.	1,1 mm
da min.	51,5 mm
Da max.	78,5 mm
ra max.	1 mm
Weight	0,407 Kg
Basic dynamic load rating (C)	32,7 kN
Basic static load rating (C0)	20,3 kN
(Grease) Lubrication Speed	7700 r/min
(Oil) Lubrication Speed	9200 r/min
Category	Single Row Ball Bearings
Inventory	0.0
Manufacturer Name	KOYO
Minimum Buy Quantity	N/A
Weight / Kilogram	0.448
EAN	0605790064319
Product Group	B00308



BEARING DRIVESHAFT, INC.

Enclosure	Open
Precision Class	ABEC 1 ISO P0
Maximum Capacity / Filling Slot	No
Rolling Element	Ball Bearing
Snap Ring	No
Internal Special Features	No
Cage Material	Steel
Internal Clearance	C0-Medium
Inch - Metric	Metric
Long Description	45MM Bore; 85MM Outside Diameter; 19MM Outer Race Diameter; Open; Ball Bearing; ABEC 1 ISO P0; No Filling Slot; No Snap Ring; No Internal Special Features
Category	Single Row Ball Bearing
UNSPSC	31171504
Harmonized Tariff Code	8482.10.50.68
Noun	Bearing
Keyword String	Ball
Manufacturer URL	http://www.koyousa.com
Manufacturer Item Number	6209
Weight / LBS	0.986
Bore	1.772 Inch 45 Millimeter
Outer Race Width	0.748 Inch 19 Millimeter
Outside Diameter	3.346 Inch 85 Millimeter
Bearing No.	6209
r(min)	1.1
Cr	40.9
C0r	20.3
Cu	1.40
f0	14.0



BEARING DRIVESHAFT,INC.

Grease lub.	7700
Oil lub.	9200
da(min)	51.5
Da(max)	78.5
ra(max)	1
(Refer.)Mass(kg)	0.407